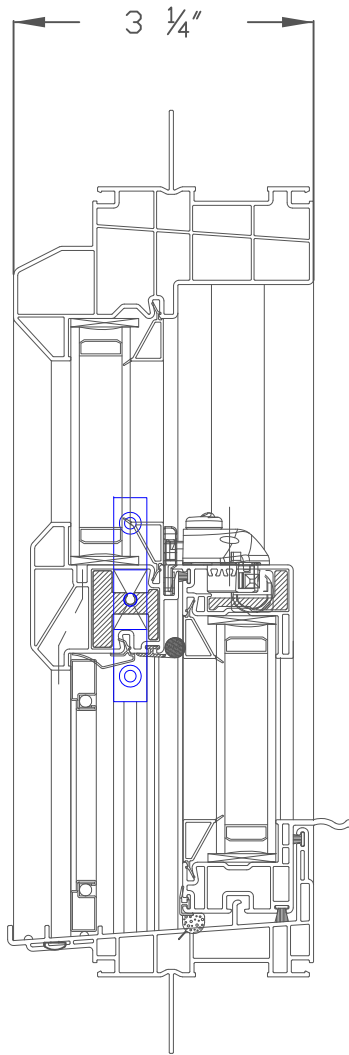
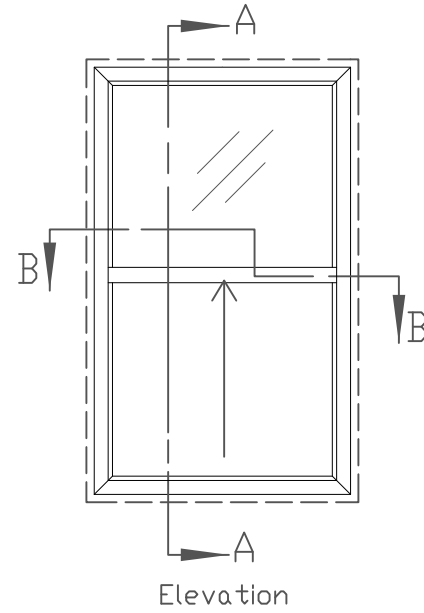


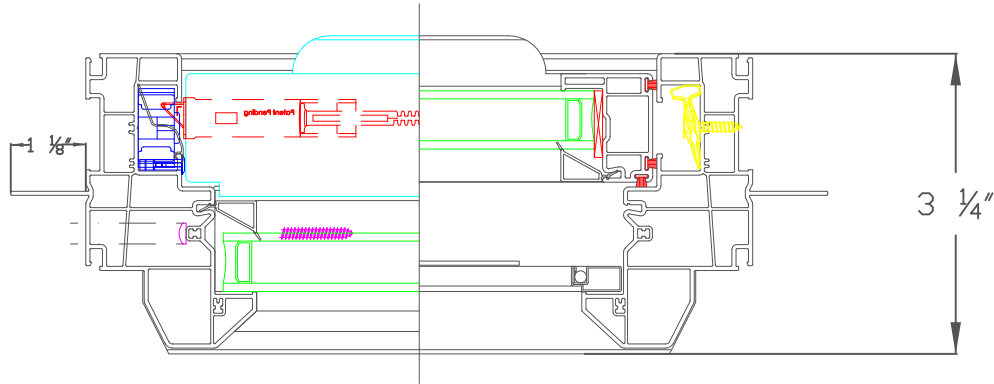
# 600 Series Single Hung Cut Sheet



Section A-A



Elevation



Section B-B

**NOTICE**  
 THESE DRAWINGS ARE THE SOLE AND EXCLUSIVE PROPERTY OF NEWTEC AND SHOULD NOT BE REPRODUCED OR TRANSMITTED IN ANY FORM OR BY ANY MEANS, ELECTRONIC OR MECHANICAL, INCLUDING PHOTOCOPYING, RECORDING, OR BY ANY INFORMATION STORAGE AND RETRIEVAL SYSTEM, WITHOUT THE WRITTEN PERMISSION OF NEWTEC. © NEWTEC WINDOWS & DOORS, INC. 2014

NO.	REV.	DATE	BY	DESCRIPTION OF REVISION

**NEWTEC WINDOWS & DOORS, INC.**  
 3159 West 38th Street  
 Chicago, IL 60632  
 Phone: (773) 895-8888  
 Fax: (773) 895-8885  
[www.newtecwindow.com](http://www.newtecwindow.com)

PROJECT NAME:  
 LOCATION:  
 ARCHITECT:  
 CONTRACTOR:

SHEET NAME  
 SYSTEM 600  
 VINYL SINGLE  
 HUNG WINDOWS

DRAWN BY: DATE:  
 4.4.2019

CHECKED BY: SUBMITTAL

SCALE: SHEET NO.  
 N.T.S. 001